

SHELTER ASSEMBLY MANUAL

Model # W12xL12xH 4.5m
C4040 Container Shelter



SPECIFICATION

Width:12m Length:12m Height:4.5m

IMPORTANT-----READ MANUAL FIRST

Improper site preparation, Assembly and Maintenance may invalidate warranty and cause unnecessary and costly mistake. If you have any questions contact your local dealer.

For User Friendly assembly we have identified each individual component with the part code as indicated in the parts list. Please refer to the part code numbers and drawing to ensure problem free assembly.

It's necessary to tighten the roof fabric enough to avoid "hammocks" on the roof and also re-tighten once or twice again after a few months of use. This is important when assembly in cold weather (autumn and winter) because the fabric is stiff then and when we got the sun and warm weather afterwards it will make the fabric "slack" again and need to be re-tighten before next winter.

It's the owners responsibility to take of snow immediately if not slide off by itself.

READ ALL INSTRUCTIONS BEFORE ASSEMBLY

1. Keep work area clean. Cluttered areas invite injuries. Do not set up near snow drifts, in slippery places, in high winds, or wet location.
2. Keep children away. All children should be kept away from the work area.
3. Don't over reach. Keep proper footing and balance at all times.
4. Do not assemble in under the influence of alcohol or drugs. Read warning labels on prescriptions to determine if your judgment or reflexes are impaired while taking drugs. If there is any doubt, do not assemble.
5. Be aware of possible windy conditions; fasten the bases in concrete if these conditions are likely to occur. Remove the cover during hurricane.
6. Be careful with power and heat sources. Do not keep heat sources near the tarpaulin. Do not expose to open flame.
7. Be aware of personal safety during assembly and use. Be careful not to pinch fingers with clips and tubes when assembling: when using makes sure there is adequate ventilation for exhaust and other dangerous fumes.

Parts List

Part Code	Description	Qty	Box
L1	Base Plate	7	B
R1	Diagonal Base Plate for two corners	7	B
1	Roof Bent Tube	7	A
2	Upside Bent Tube	14	A
3	Underside Bent Tube	14	B
4	Lower Bent Tube	14	B
5	Purlin	42	A
6	Inclined Support Tube	16	A
7	Clip for Inclined Support Tube	32	B
8	Bolts M12x100	49	B
9	Bolts M10x90	112	B
10	Winch	14	B
11	Belts for Winch	14	B
12	Angle Seats	4	B
13	Roof Cover	1	A
14	Knitting Rope for Cover	1	B
15	φ 32 Plastic Plug for end of tensioning tube	4	B
16	Tensioning Tube	2	A

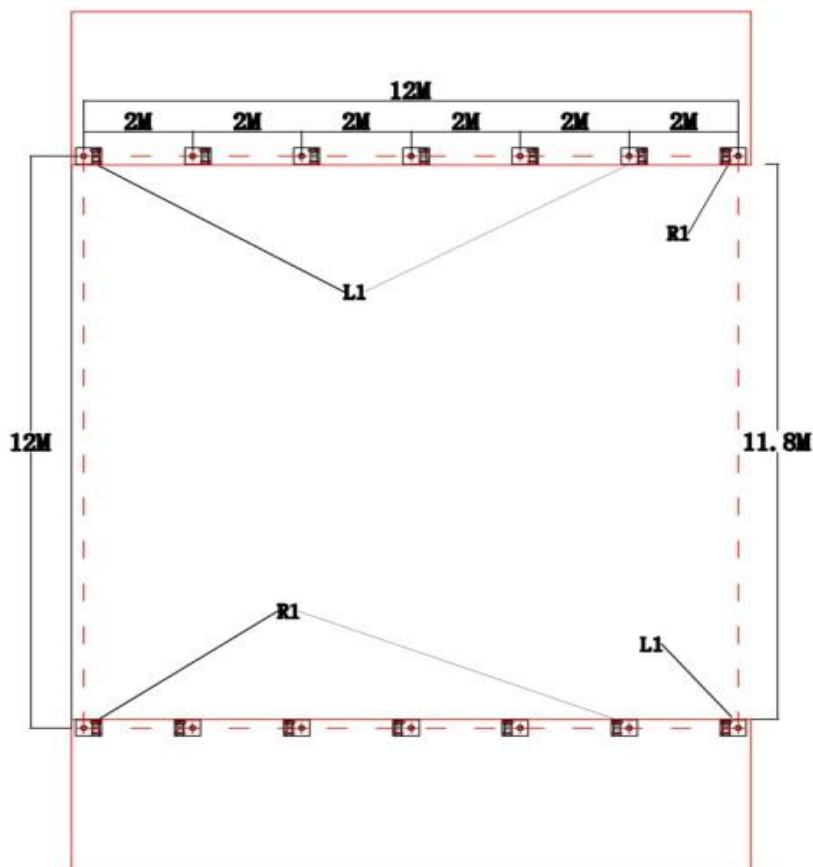
● EQUIPEMNT AND TOOLS FOR INSTALATION

1. Measuring tape
2. String for alignment
3. Step ladder
4. Welder
5. Sledge hammer
6. Wrench
7. Scissors

INSTALLATION PROCESS

A—BASE INSTALLATION

Please refer to the diagram (Figure 1) to place the base plates.

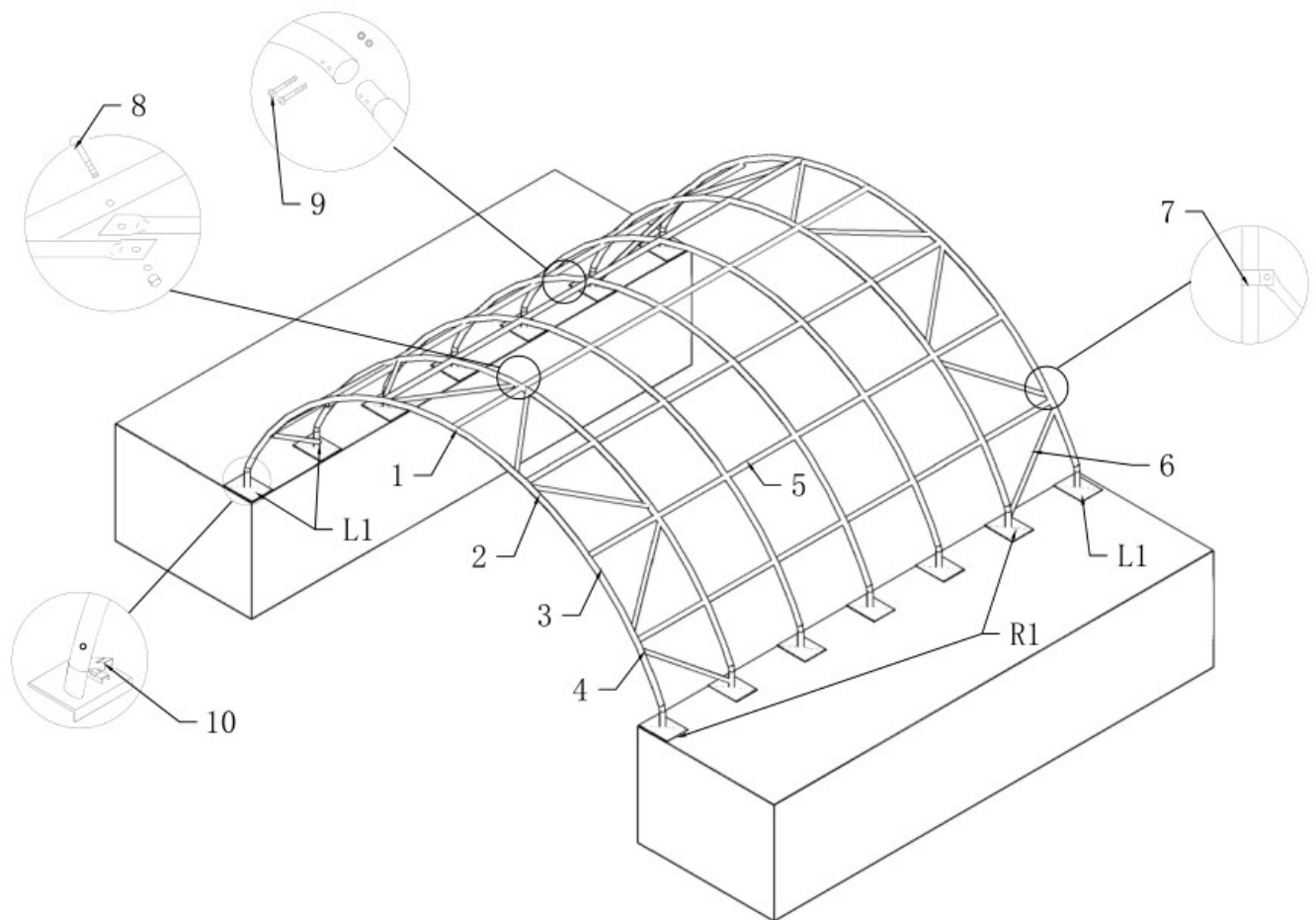


Step 1

1. The measurement is from center to center of the tubes. Referring to the above diagram and confirm the place of the base plates. ENSURE THAT THE FOUNDATIONS IS SQUARE.
2. All the base plates should be welded on the Containers.

B—FRAME INSTALLATION

Please refer to the diagram (Step 1) to install the Frame.

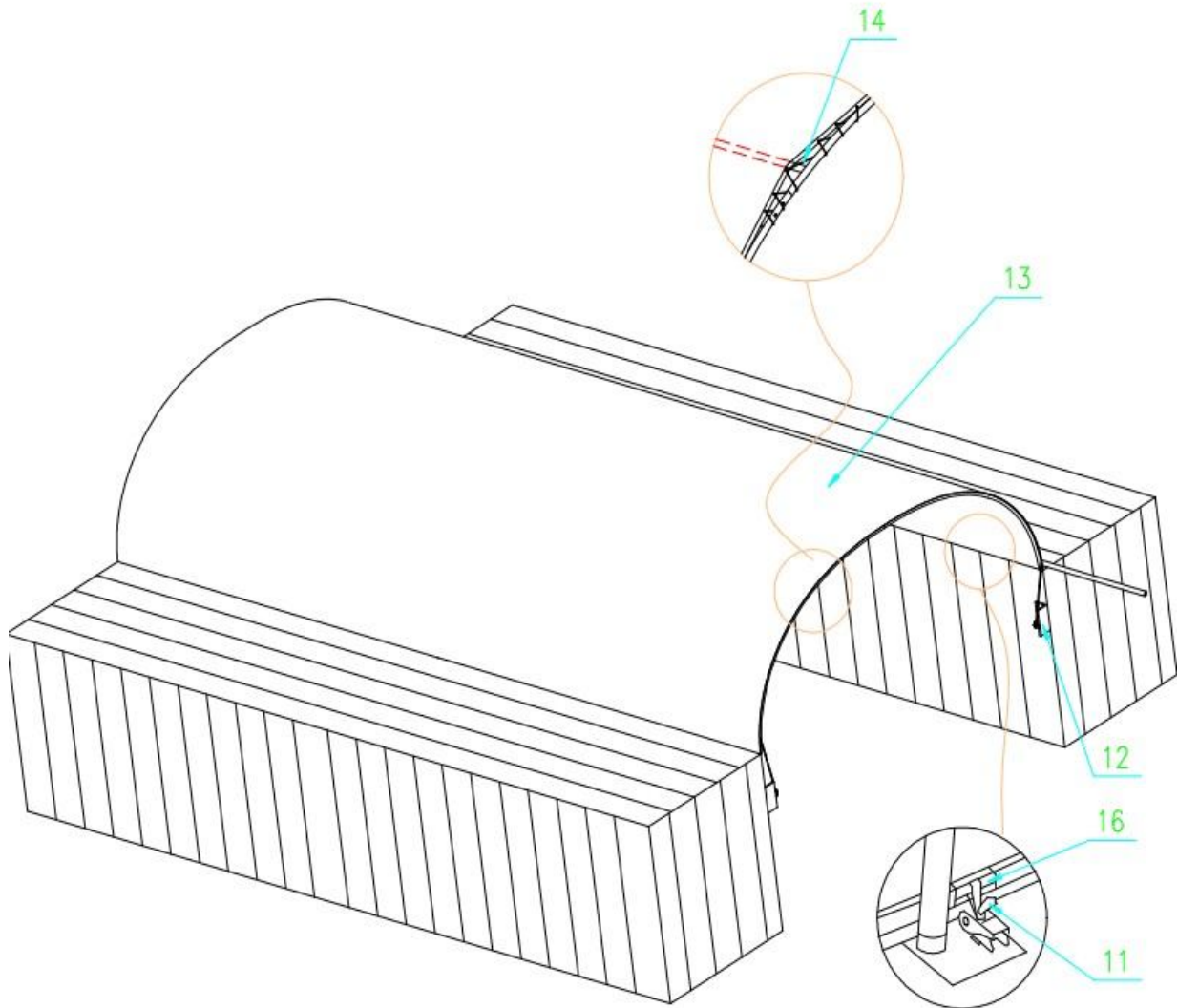


Step 2

1. As Step 2 shown find Roof Bent Tube (No. 1), Upside Bent Tube (No.2), Underside Bent Tubes (NO.3) and Lower Bent Tube(NO.4). To connect them by Screw M10x90 (NO.9) .Which makes one group of arch. Please NOTE the direction of the screw. DO NOT install the screws on the top of the truss where the fabric will rest.
2. Insert one end of the assembled arch into one base plate and force the other end of the arch into the opposite base plate.
3. After finishing installing the first two arches, connect the Connection purlins onto them by using screw M12x100 (NO.8) .There is 7 pieces of Connection Purlins (NO.5)between each arch. Then install the third arch into base plate and connect the purlins. Finally install the Inclined Support tube (NO.6) using Screw and Clip (NO.7). Assemble the Frame by turns like this.

C—ROOF COVER INSTALLATION

Please refer to the diagram (Step 3) to install the Frame.



Step 3

NOTE: DO NOT install the cover onto the frame of your building in high wind conditions. A slight breeze is the most advantageous for cover installation. To take advantage of the breeze, pull the cover up over the arches with the breeze blowing in the cover like a sail filled with air.

1. Put the Roof Cover (NO. 13) EVENLY, CARRFULLR AND SLOWLY on the frame. Adjust the cover so that it is square and evenly centered on the frame.
2. Weld the Angle Seats (NO. 12) on each container and use Ropes (NO. 14) to knit the cover on the two side arches, finally tie the Roof cover to the Angle seats.

3. Cut 9 pockets according to the position of the base plates and put the Lower Tensioning Tubes for roof cover (NO. 16) into the pocket of roof cover. Then use the Ratchet Straps (NO.11) to tie down the Lower Tensioning Tubes as **Step 3** shows. Finally install the ϕ 32 Plastic Plug for base rail section (NO. 15) into two end of the Lower tensioning tubes.

NOTE: DO NOT LEAVE THE ROOF COVER UNATTACHED UNDER ANY CIRCUMSTANCES until the final assembly and tightening has been completed.

The process is quite easy. But some tightening adjustments will be necessary to produce a flat, tensioned roof cover. Please adjust the roof cover every month.